

FIG. 1

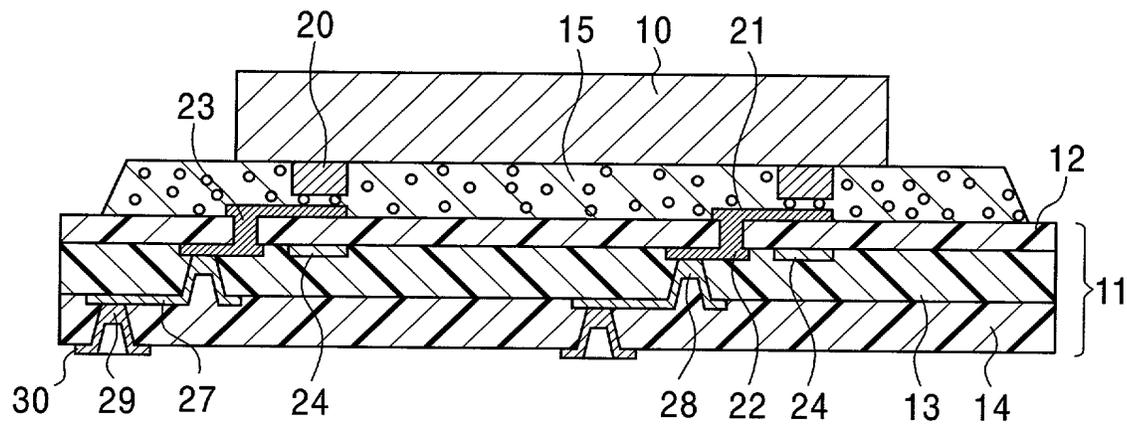


FIG. 2A

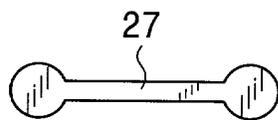


FIG. 2B

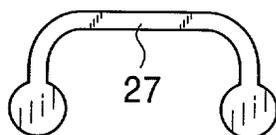


FIG. 3

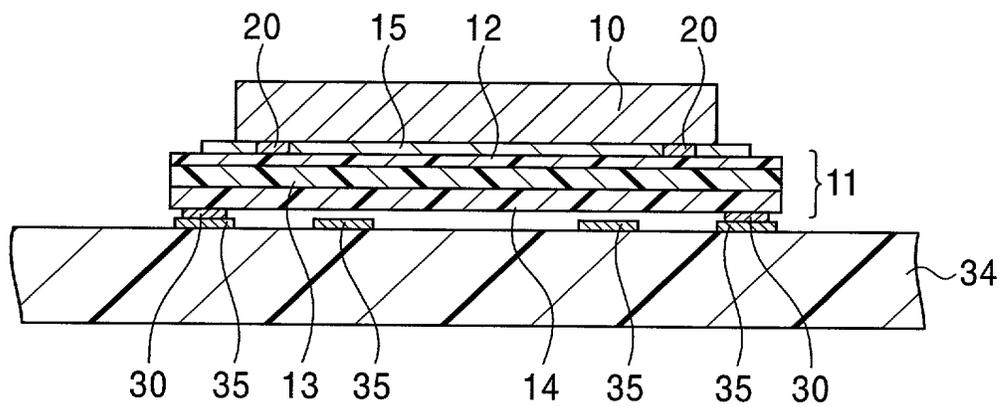


FIG. 4A

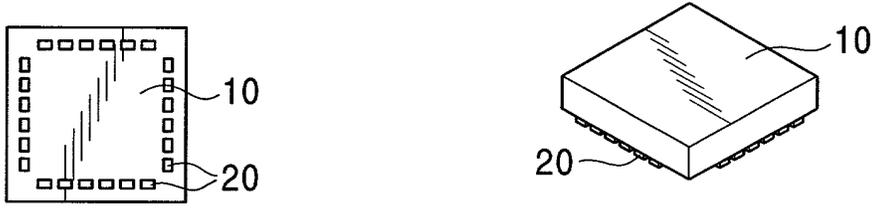


FIG. 4B

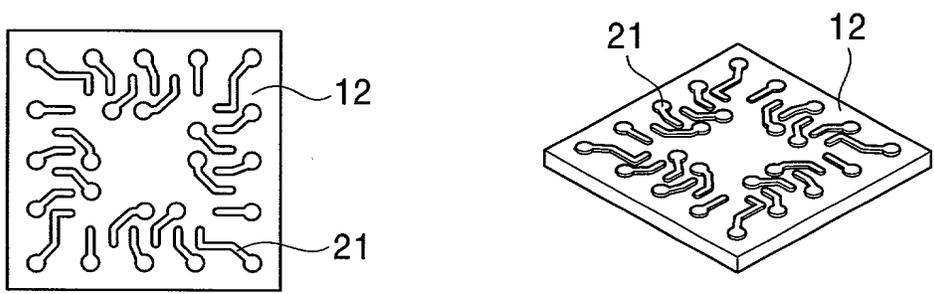


FIG. 4C

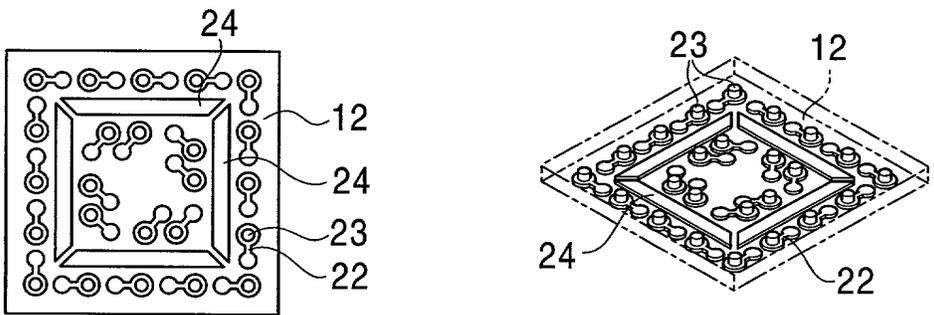


FIG. 4D

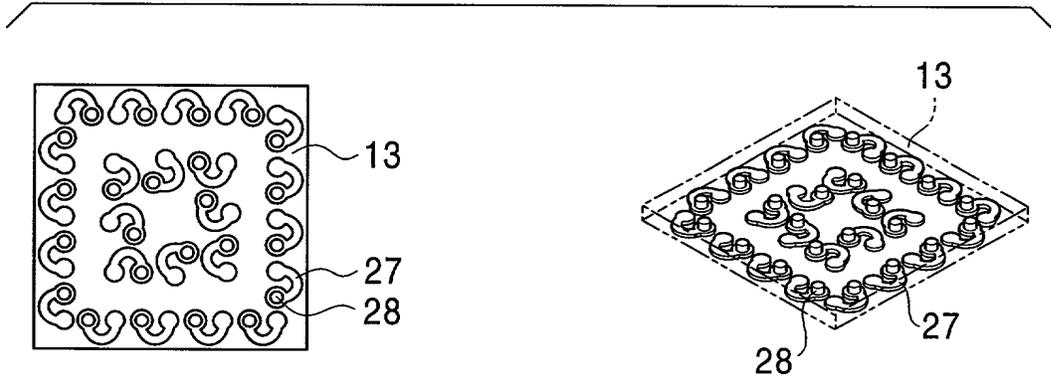


FIG. 4E

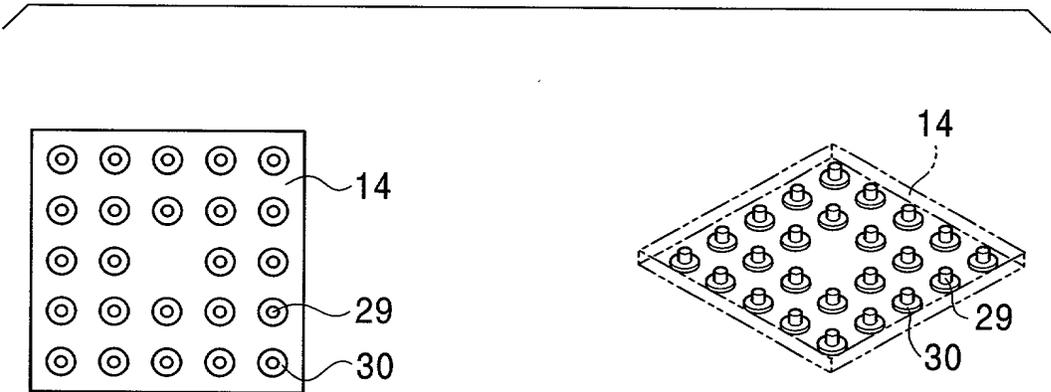




FIG. 6B

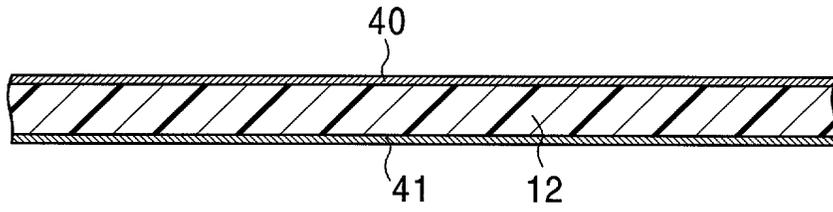


FIG. 6B

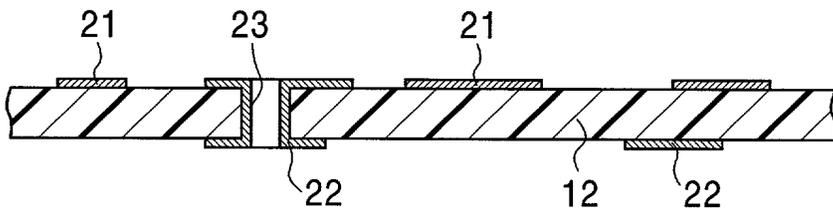


FIG. 6C

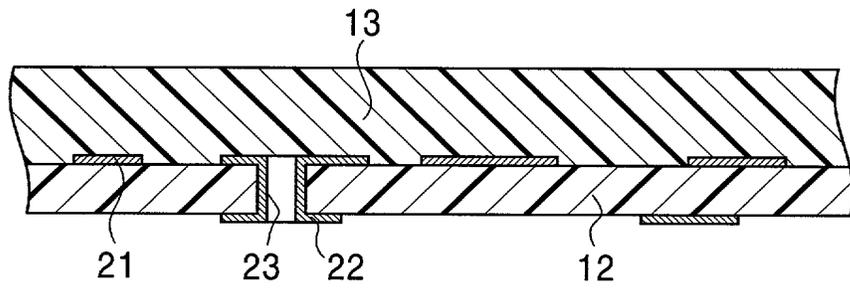


FIG. 6D

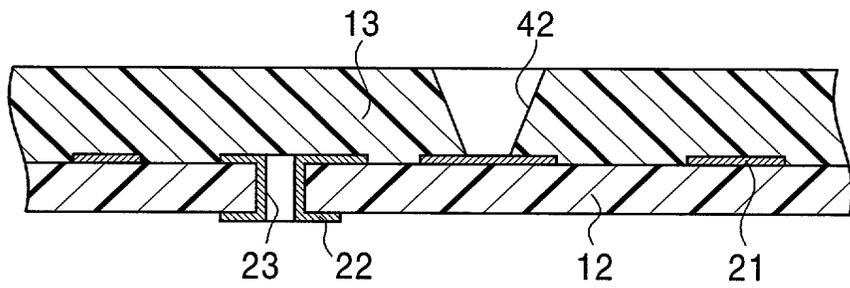


FIG. 6E

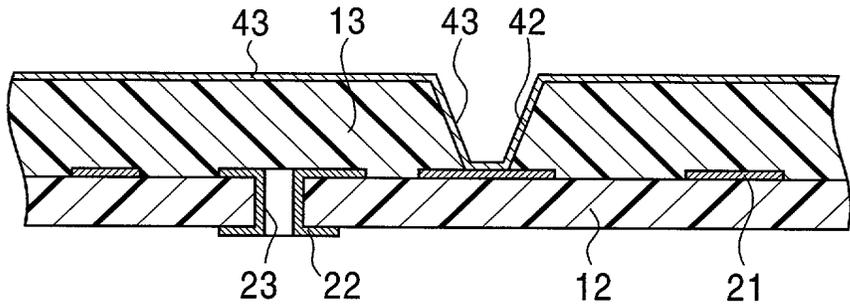


FIG. 6F

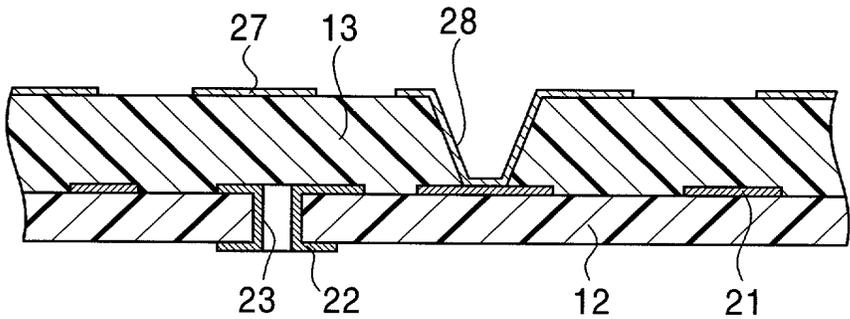


FIG. 7

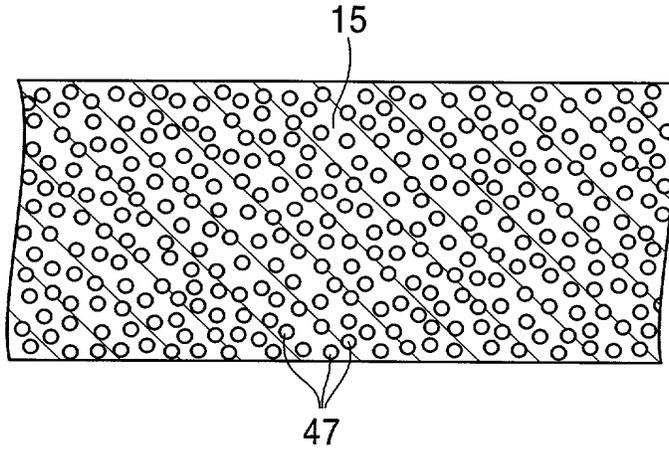


FIG. 8

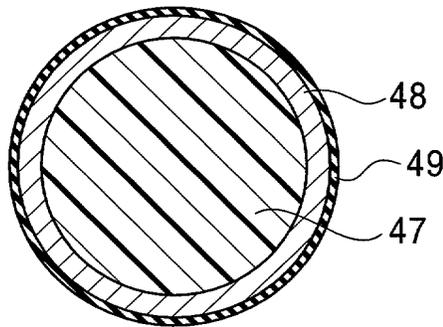




FIG. 11

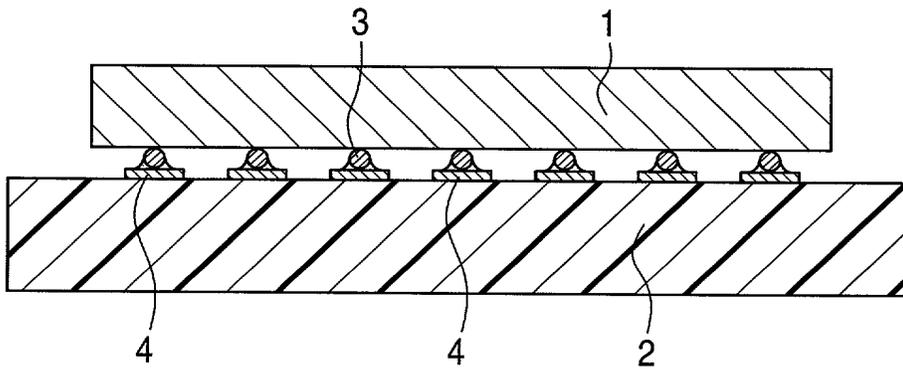


FIG. 11 is a cross-sectional view of a device showing a substrate (2) with a top layer (1) and a series of components (4) mounted on the substrate. A label (3) points to the top surface of the top layer.